



RADIO MANUFACTURERS ASSOCIATION
ENGINEERING DEPARTMENT

Type 4B27

Release No. 406

May 5, 1945

Gas-Filled Rectifier - Full-Wave

sponsor:
General Electric Co.

GENERAL CHARACTERISTICS

Electrical

Filament	
Voltage	2.5 Volts
Current	10 Amperes
Time Delay	5 Minutes

Mechanical

Type of Cooling	Convection
-----------------	------------

Base - See Outline

Maximum Overall Dimensions

Length	5.90 Inches
Diameter	2.20 Inches

MAXIMUM RATINGS

Condensed Mercury Temperature, Degrees C	90
Maximum Output	
Voltage	250 Volts average
Current	2.0 Amperes av. 6.0 Amperes, peak

Pickup Voltage (Hot)	
Average	12.5 Volts d-c
Range	8-20 Volts d-c

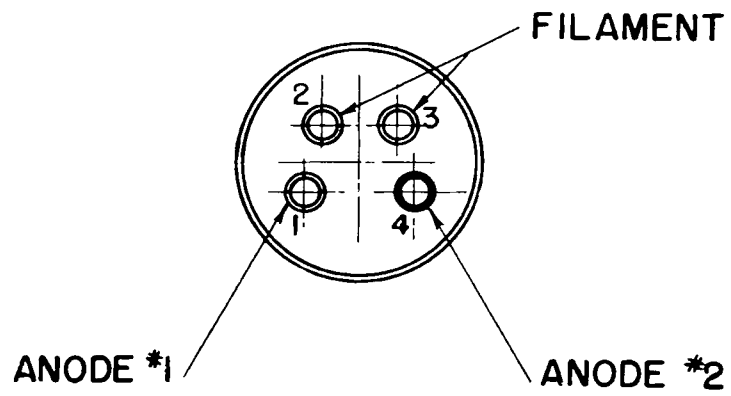
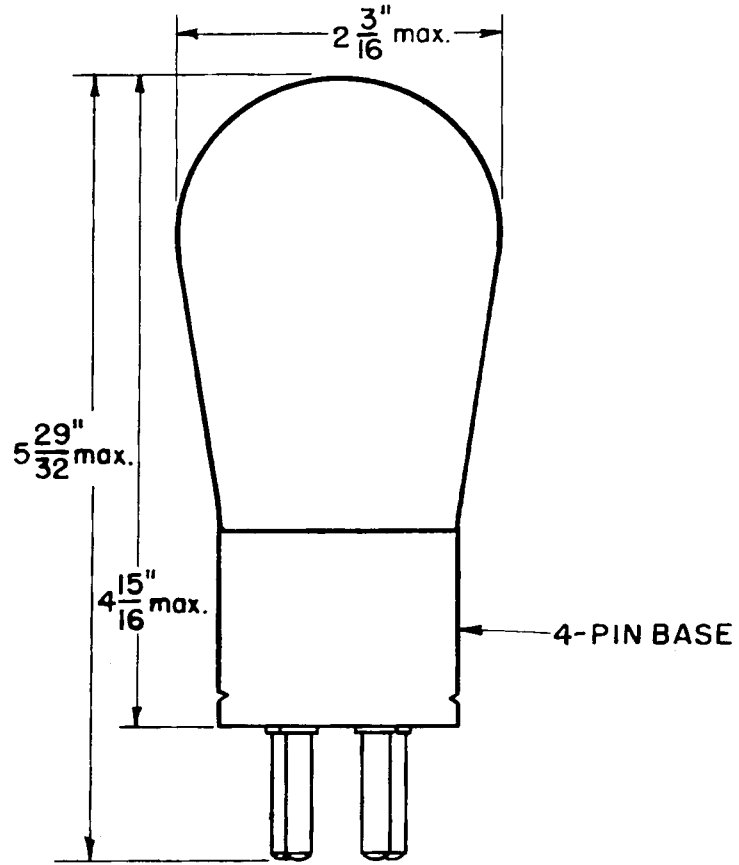
Pickup Voltage (Cold)	
Average	14 Volts d-c
Range	8-24 Volts d-c

Arc Voltage (Hot)	
Average	9.0 Volts d-c
Range	6-15 Volts d-c

Arc Voltage (Cold)	
Average	12.5 Volts d-c
Range	7.5-20 Volts d-c

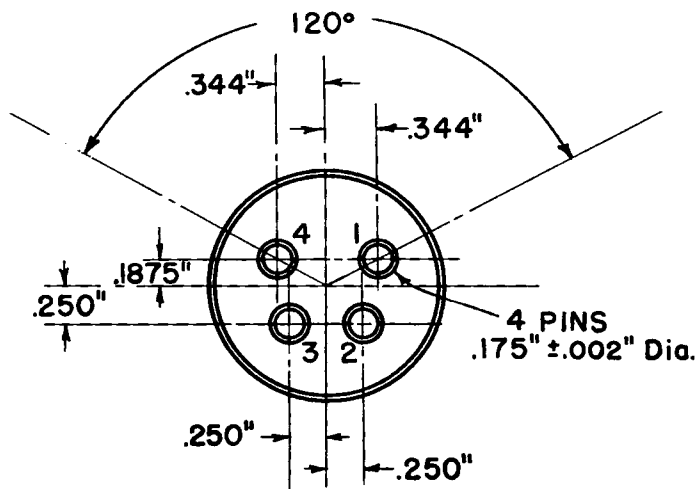
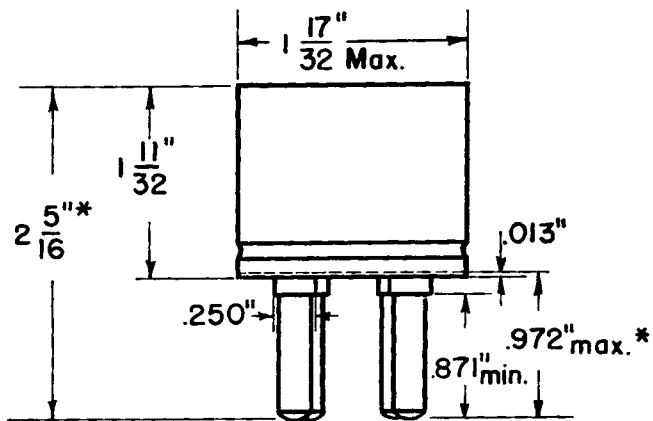
Maximum Peak Inverse Voltage	1000 Volts
------------------------------	------------

R.M.A. TYPE 4B27



BASE TYPE

A4-33



* On finished tube, add $.060$ inches for solder